

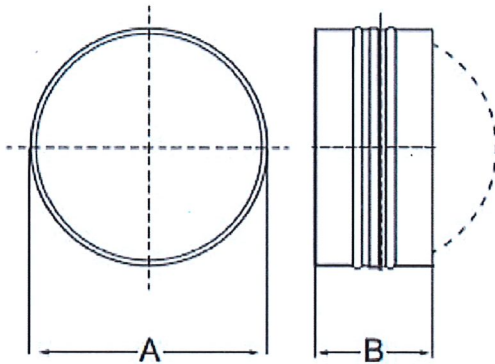
**BACKDRAFT DAMPERS**

**BUTTERFLY BACKDRAFT DAMPER**

Backdraft dampers are designed with galvanized steel collars and have lightweight aluminum damper blades. They are spring loaded for positive closure.

**FEATURES:**

- PVC Foam Seal
- 27 Ga. Galvanized Collar
- 29 Ga. (0.011") Galvanized Aluminum Blade



**DIMENSIONS IN MM/INCHES**

SIZES	A	B	Wt (lbs)
4 "	100 3 15/16	88 3 1/2	1
5 "	125 4 15/16	88 3 1/2	1
6 "	150 5 7/8	88 3 1/2	1
7 "	175 6 7/8	88 3 1/2	1
8 "	200 7 7/8	88 3 1/2	1
10 "	250 9 13/16	128 5	2
12.4 "	315 12 3/8	128 5	2
14 "	355 13 3/4	128 5	2
16 "	400 15 3/4	250 9 13/16	2

Job Name:

Location:

Architect:

Engineer:

Contractor:

**MODEL BF**

DRAWN BY:

CLJ

DATE:

5-28-86

REV. DATE:

2-19-21

REV. NO.

16

APPROVED BY:

CLJ

DWG. NO.:

**F-7**